

4

3

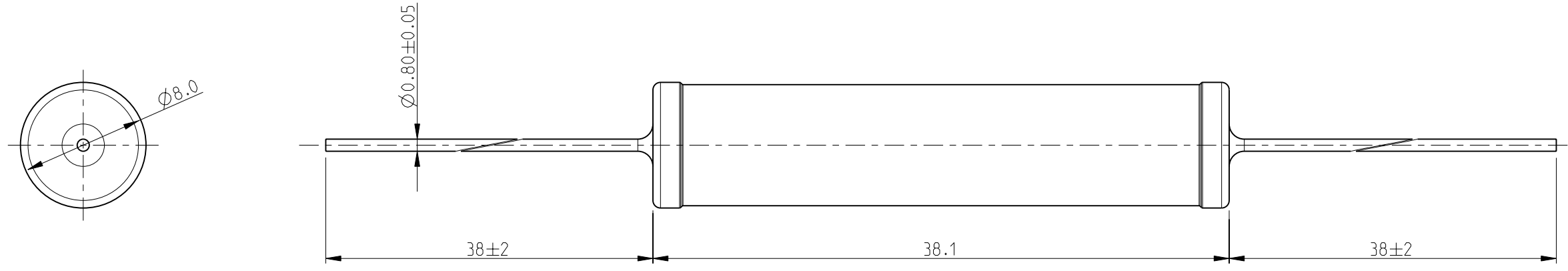
2

1

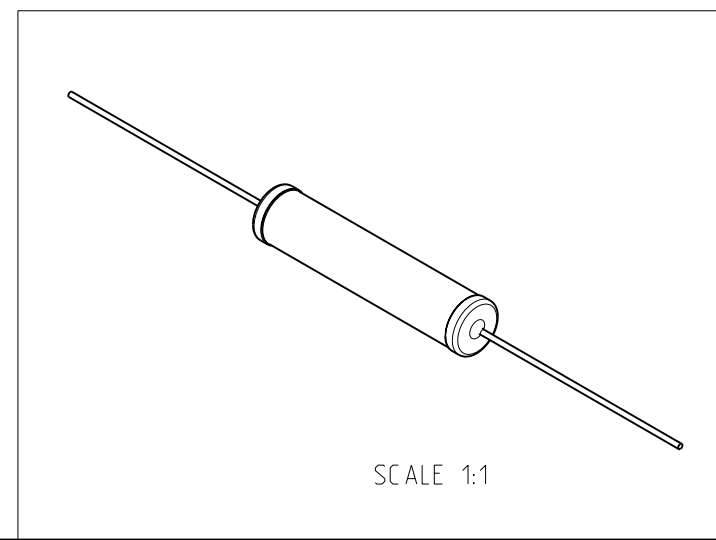
THIS DRAWING IS UNPUBLISHED. RELEASED FOR PUBLICATION 2010  
 © COPYRIGHT 2010 BY TYCO ELECTRONICS CORPORATION. ALL RIGHTS RESERVED.

| LOC | DIST | REVISIONS   |             |           |          |
|-----|------|-------------|-------------|-----------|----------|
| P   | LTR  | DESCRIPTION | DATE        | DWN       | APVD     |
| E   | B    | BA          | NEW RELEASE | 11-FEB-10 | MRS St.P |

FOR FURTHER INFORMATION SEE DATA SHEET FOR  
 SERIES ER/ERV- HIGH POWER RESISTORS



RoHS Compliant



|   |   |  |  |                      |                 |
|---|---|--|--|----------------------|-----------------|
| <small>THIS DRAWING IS A CONTROLLED DOCUMENT FOR TYCO ELECTRONICS CORPORATION<br/>         IT IS SUBJECT TO CHANGE AND THE CONTROLLING ENGINEERING ORGANIZATION<br/>         SHOULD BE CONTACTED FOR THE LATEST REVISION.</small> |   | DWN MAHARUDRA 11-FEB-10<br>CHK ALLAN.P 11-FEB-10<br>APVD STEPHEN.P 11-FEB-10 | <b>Tyco Electronics</b> Tyco Electronics Corporation<br>Dorcan, Swindon, SN3 5HH |                      |                 |
| DIMENSIONS:<br>mm   | TOLERANCES UNLESS OTHERWISE SPECIFIED:<br>0 PLC ±0.2<br>1 PLC ±0.1<br>2 PLC ±<br>3 PLC ±<br>4 PLC ±<br>ANGLES ±5° | PRODUCT SPEC -<br>APPLICATION SPEC -<br>WEIGHT -                             | NAME HIGH POWER RESISTORS<br>SERIES ER16   |                      |                 |
| MATERIAL -  | FINISH -  | SIZE A3  | CAGE CODE 00779  | DRAWING NO C-1623748 | RESTRICTED TO - |
| CUSTOMER DRAWING  |   |  | SCALE 3:1  | SHEET 1 OF 1         | REV BA          |