

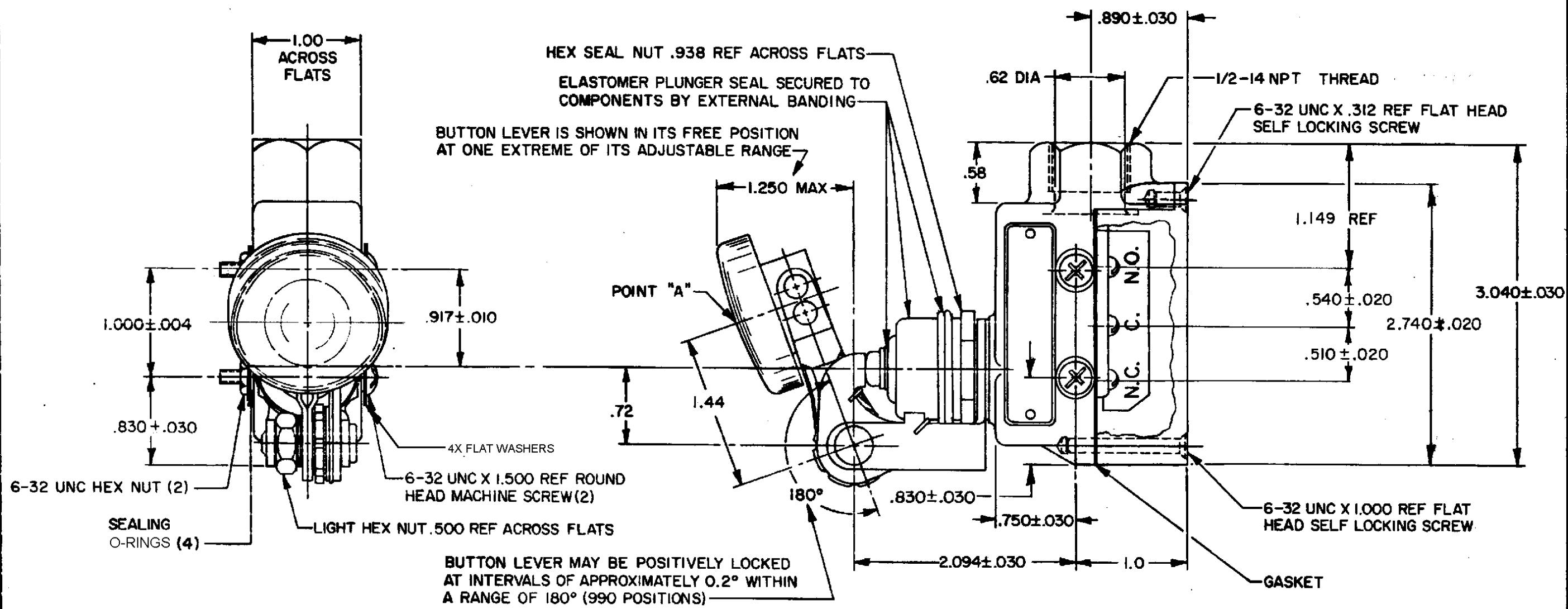
MICRO SWITCH
 FREEPORT, ILLINOIS, U.S.A.
 A DIVISION OF HONEYWELL
 FED. MFG. CODE 91929

SWITCH - ENCLOSED

CATALOG LISTING
DTE6-2RN4

YH

M DTE6-2RN4
 DRAWING NUMBER
 ISSUE 7
 REVISIONS
 A CO 53191-D MAR 84
 B CO55989 NOV 84
 C CO54958 TSK 25 FEB 85
 D CO72661 BAW 8 SEP 92
 E CO 77179B KDR 21 FEB 94
 F 0016895 VKR 18NOV05
 WJM 27 FEB 80
 FO-82851-A
 DRAWN
 CHECK
 GLA
 IIM
 ARD
 CHECK
 RJS
 RJS
 CHECK
 BP
 18NOV05
 PR-8488
 REPLACES



- NOTE -**
- 1 - 4-40 UNC X .125 REF TERMINAL SCREW AND LOCKWASHER (6)
 - 2 - BUTTON LEVER BRACKET ASSEMBLY MAY BE SET AT ANY POSITION AROUND AXIS OF PLUNGER
 - 3 - SEAL RATING : NEMA 1.3
IP 54

THIS DRAWING COVERS A PROPRIETARY ITEM AND IS THE PROPERTY OF MICRO SWITCH, A DIVISION OF HONEYWELL. THIS DRAWING IS NOT TO BE COPIED OR USED WITHOUT THE APPROVAL OF MICRO SWITCH.

CHARACTERISTICS AT POINT "A"	ELECTRICAL DATA	SCALE FULL
PRETRAVEL ----- .266 MAX	CONTACT ARRANGEMENT D P D T	DO NOT SCALE PRINT
DIFFERENTIAL TRAVEL ----- .165 MAX	10A-125 OR 250 VAC	UNLESS OTHERWISE NOTED
OVERTRAVEL ----- .219 MIN	0.3A-125 VDC; 0.15A-250 VDC	DIMENSIONS ARE IN INCHES
BASIC SWITCH REPLACEMENT --- DT-2R-A7	CODE L59	TOLERANCES ARE:
		ONE PLACE (.0) ± .030
		TWO PLACE (.00) ± .015
		THREE PLACE (.000) ± .005
		ANGLES
		WEIGHT .71 LB